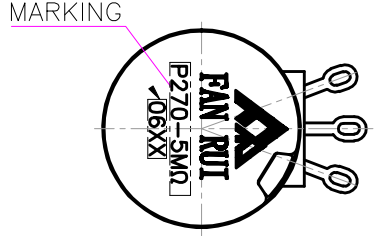
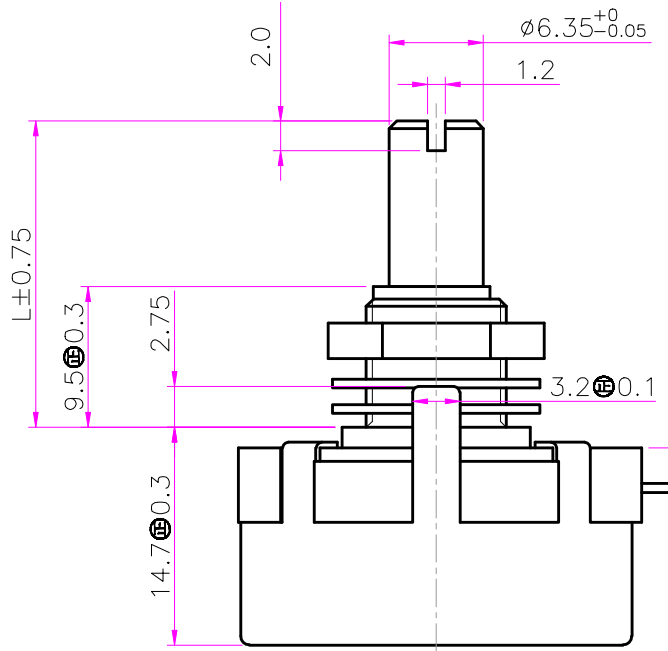
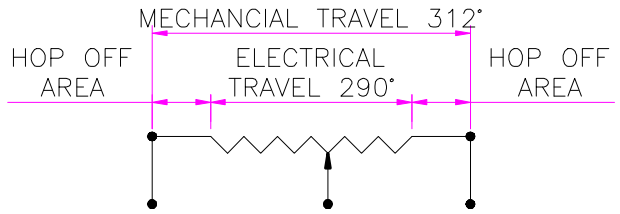


SCHEMATIC



SPECIFICATIONS:
 ELEMENT: METAL FILM RESISTANCE
 RESISTANCE: 5M Ω OHMS TOLERANCE: ±20%
 TAPER: LINEAR MAXIMUM RESISTANCE: NO MORE THAN 5MΩ*3% OHMS
 ELECTRICAL TRAVEL 290°±3'
 MECHANICAL TRAVEL 312°±5'
 POWER RATING: 2 WATTS @70 °C
 DIELECTRIC STRENGTH: 1000 VCD (60 SECONDS)
 SHAFT: STAINLESS STEEL
 SHAFT END: SLOTTED AS SHOWN
 ROTATIONAL TORQUE: 1 oz-in MAX
 FINISH: CONTROL HAS STANDARD EXTERNAL COATING EPOXY
 HARDWARE: 3/8-32 NEF NUT AND 3/8 INTERNAL TOOTH LOCKWASHER
 OPERATING TEMP: -55 TO 120C
 ROTATIONAL LIFE: 25000 CYCLES

MARK ON HOUSING AS SHOWN:
 MARK ON BACK SIDE - OPTIONAL

P270-5MΩ
 06XX
 YEAR
 WEEK

未指定容許 尺寸之公差	
10 以下	±0.3
10~100	±0.5
100 以上	±0.8
角度	±5°

L 19.05 22.2 50.8

MTL.		SPEC.		DISPOSAL		东莞市凡睿电子科技有限公司 DONG GUAN FAN RUI ELECTRONICS & TECHNOLOGY CO., LTD.	
⑤				UNIT	SCALE	TITLE	
④				INCHES	2/1	P270 Series	
③				DRAWN	DESIGN	CHECK	DWG NAME
②							P270KN
①							DWG NO.
DEVISION	DATE	DESIGN					