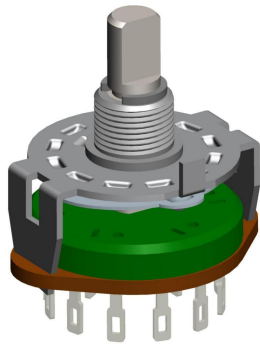




25mm Size Series

25 型系列

MULTIWAY SWITCH



应用于：微波炉、洗衣机等其它白色家用电器，还可用于多媒体音响及功放、医疗器材上

Application: microwave oven, washing machine and other white household appliances, can also be used in multimedia audio and power amplifier, medical equipment.

主要功能：功能切换、速度调节、温度调节

Main functions: function switching, speed adjustment, temperature adjustment.

RS25
12
N1
-
2P
-
1C500
-
M9B7
-
F15A7

1
2
3
4
5
6
7

Ordering Information 订货说明		Code 代码	Specification 规格参数			
1	Moder Series 产品系列	RS25	See RS25 Series Dimensions 见 RS25 系列产品图			
2	Design Code 设计代号	12				
3	Loop Number 回路数	N1	N1 : 单回路 (Single Loop) N2 : 双回路 (Double Circuit) N2 : 三回路 (Three Circuit) N2 : 四回路 (Four Circuit)			
4	Gear Number 档位数	2P	单回路：2~12 档 Single loop : gears 2~12 双回路：2~6 档 Double circuit : gears 2~6			
5	Detent and Torque 定位数及扭矩	1C500	1C 表示一个定位 1C represents a position	Torque 扭矩	300	300±150gf.cm
					500	500±200gf.cm
6	Bushing Type 轴套类型	M9B7	M9 Teeth Bushing, Length 7mm M9 Teeth 轴套，长度 7mm			
7	Shaft Type and Shaft Length 轴型及轴长	F15A7	See RS25 axis dimension table 见 RS25 轴型尺寸表			



MECHANICAL SPECIFICATION 机械性能

Operating Temperature 工作温度	-10°C ~ +70°C
Shaft Rotation Force 操作力矩	200gf.cm ~ 1200gf.cm
Soldering Heat 焊接温度	260°C , 3 ~ 5sec
Shaft stop-perstrength 轴转动止档强度	8kg.cm
Total Rotation Angle 全回转角度	□30° □60° □90° □120° □150° □180° □210° □240° □270° □300° □330°

ELECTRICAL SPECIFICATION 电气性能

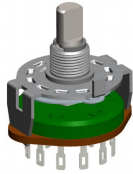
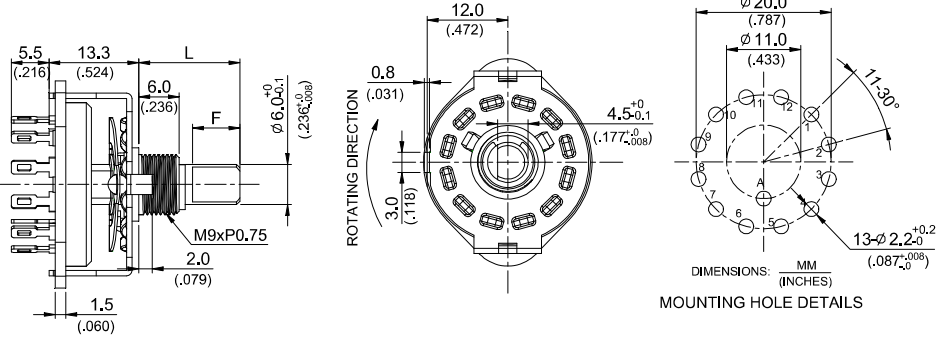
Power Rating 额定功率	DC 30V 0.5A
Insulation resistance 绝缘电阻	More than 100MΩ (AT 500V DC)
Contact resistance 接触电阻	300mΩ Max
Withstand Voltage 耐电压	For 1 minute at 500V AC
Rotational life 回转寿命	10,000 cycles

SHAFT TYPE AND SHAFT LENGTH 轴型及轴长 (RS25 Series)

FA 轴		<table border="1"> <thead> <tr> <th>Length</th> <th>FA15</th> <th>FA20</th> <th colspan="2">FA25</th> </tr> </thead> <tbody> <tr> <td>L</td> <td>15</td> <td>20</td> <td colspan="2">25</td> </tr> <tr> <td>F</td> <td>7</td> <td>12</td> <td colspan="2">12</td> </tr> </tbody> </table>				Length	FA15	FA20	FA25		L	15	20	25		F	7	12	12						
		Length	FA15	FA20	FA25																				
L	15	20	25																						
F	7	12	12																						
YA 轴		<table border="1"> <thead> <tr> <th>Length</th> <th>YA15</th> <th>YA20</th> <th>YA25</th> <th>YA30</th> </tr> </thead> <tbody> <tr> <td>L</td> <td>15</td> <td>20</td> <td>25</td> <td>30</td> </tr> <tr> <td>A</td> <td>6</td> <td>10</td> <td>10</td> <td>12</td> </tr> <tr> <td>B</td> <td>6.5</td> <td>10.5</td> <td>11</td> <td>13</td> </tr> </tbody> </table>				Length	YA15	YA20	YA25	YA30	L	15	20	25	30	A	6	10	10	12	B	6.5	10.5	11	13
Length	YA15	YA20	YA25	YA30																					
L	15	20	25	30																					
A	6	10	10	12																					
B	6.5	10.5	11	13																					



RS25 Series Dimensions

MODEL	DIMENSIONS
 <p>RS2512N</p>	 <p>Technical drawings showing dimensions in millimeters (MM) and inches (INCHES). Dimensions include: 5.5 (.216), 13.3 (.524), L, 6.0 (.236), F, $\phi 6.0^{+0}_{-0.1}$ (.236⁺⁰_{-0.08}), M9xP0.75, 2.0 (.079), 1.5 (.060), 12.0 (.472), 0.8 (.031), 3.0 (.118), 4.5⁺⁰_{-0.1} (.177⁺⁰_{-0.008}), $\phi 20.0$ (.787), $\phi 11.0$ (.433), 11.30°, 13-$\phi 2.2^{+0.2}_{-0}$ (.087^{+0.2}₋₀), and DIMENSIONS: MM (INCHES).</p> <p>ROTATING DIRECTION</p> <p>MOUNTING HOLE DETAILS</p>