



东莞市凡睿电子科技有限公司

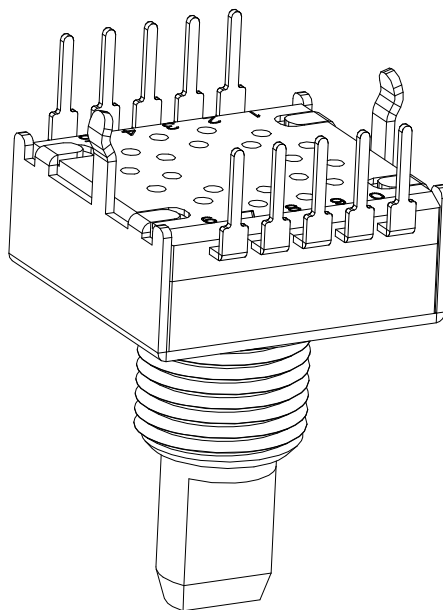
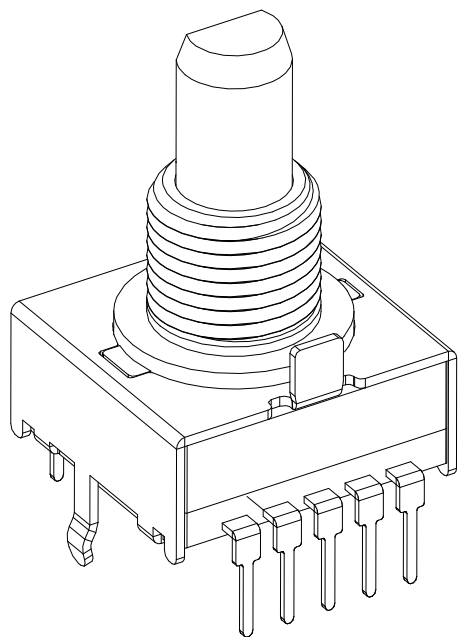
DONG GUAN RUI FENG TECHNOLOGY&ELECTRONICS CO. , LTD.

TEL: (0769) 81805438/86866001 13751429385 FAX: (0769) 82991458 E-mail: fanrui@dgfanrui.com

网址: <http://dgruifengkj.cn.alibaba.com>

地址: 东莞市茶山镇京山第三工业区

RS17 系列旋轉式多路開關規格書





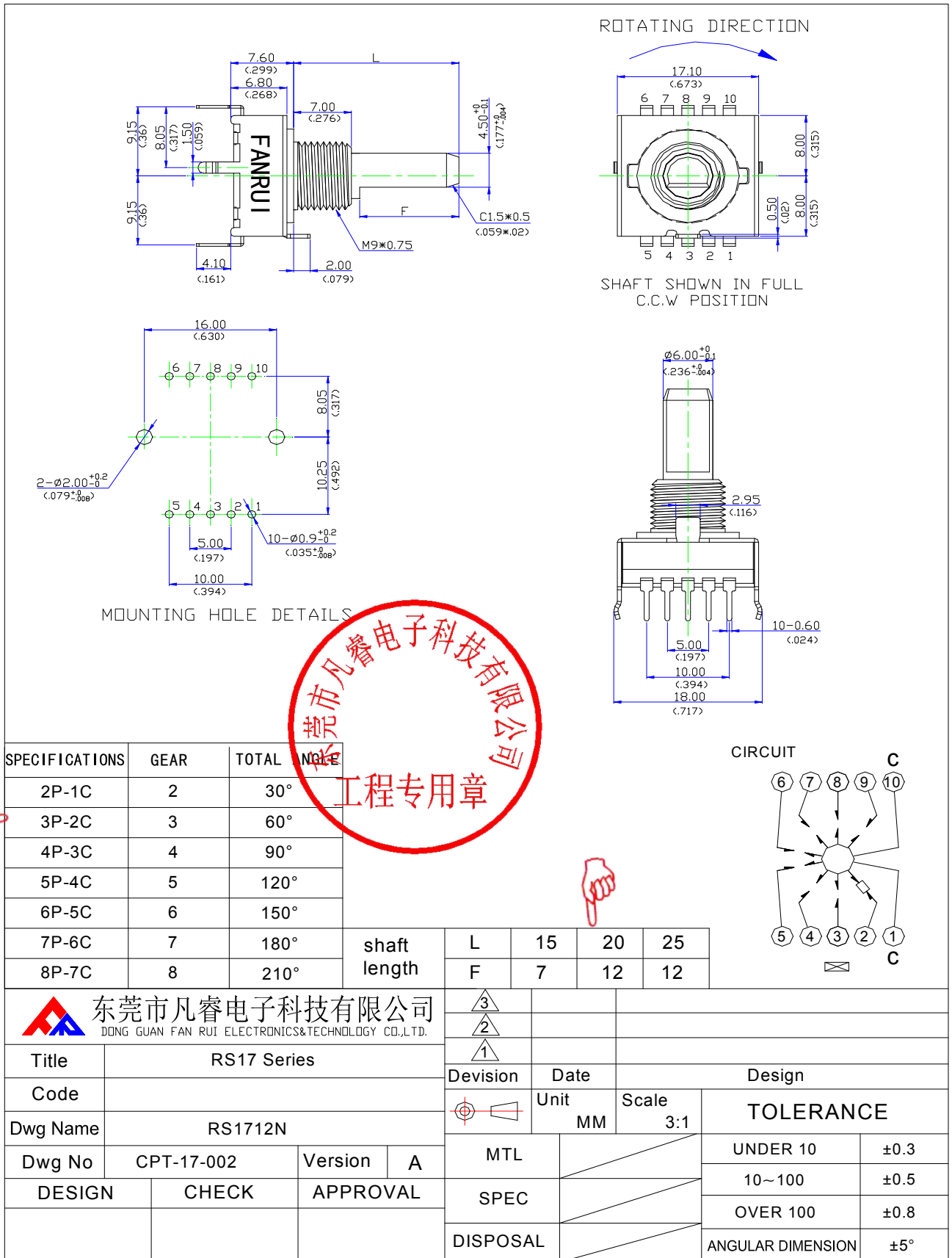
东莞市凡睿电子科技有限公司

DONG GUAN RUI FENG TECHNOLOGY&ELECTRONICS CO., LTD.

TEL: (0769) 81805438/86866001 13751429385 FAX (0769) 82991458 E-mail: fanrui@dgfanrui.com

网址: <http://dgruifengkj.cn.alibaba.com>

地址: 东莞市茶山镇京山第三工业区





东莞市凡睿电子科技有限公司

DONG GUAN RUI FENG TECHNOLOGY&ELECTRONICS CO. , LTD.

TEL: (0769)81805438/86866001 13751429385 FAX(0769)82991458 E-mail: fanrui@dgifanrui.com

网址: http://dgruifengkj.cn.alibaba.com

地址: 东莞市茶山镇京山第三工业区

1、一般事項 General

1-1 適用規格 Scope

本規格書適用於 17 型多路開關。

This specification applies to more than 17 type way switch

1-2 標準狀態 Standard atmospheric conditions

除另有規定外，測量應在以下狀態下進行：

Unless otherwise specified, the standard range of atmospheric conditions For making measurements and test is as following limits:

溫度 Ambient temperature : 15°C to 35°C

相對溼度 Relative humidity : 25 % to 85%

氣壓 Air pressure : 86 kPa to 106 kPa

1-3 使用溫度範圍 Operating temperature range : - 10 °C to +70 °C

1-4 保存溫度範圍 Storage temperature range : - 20 °C to +85 °C

2、構造 Construction

2-1 尺寸 Dimensions

見所附成品圖 Refer to attached drawing



2. Mechanical Characteristics

2. 機械特性

Item 項目	Measuring condition 測試條件	Specifications 規格	
2.1	Changeover 切換角度	Effective switching angles 有效切換角度	30°±3°
2.2	Encoder rotation torque 回轉力矩		500±200gf.cm
2.3	Push-pull strength 軸的推拉強度	Push and pull static load of 8Kg shall be applied to the shaft in the axial direction for 10s.(after soldering of the PC board) 在軸端,沿軸向施加 10kg 的靜負荷力推和拉各 10 秒鐘(產品焊錫固定在 PCB 上。)	Without damage and abnormal on the outlook and function of the shaft. Electrical characteristics should be satisfied. 軸無破損, 旋轉無異常。 電氣性能符合規定要求。
2.4	Shaft stop-per strength 軸轉動止檔強度	Rotational moment shall be applied to the shaft for is at both end. Add 5kg.cm torque and hold for 5 seconds. 將軸旋轉至兩邊止檔位置,加 5kg.cm 力矩並保持 5 秒	No loosening, damage and contact problems are allowed after testing. 無顯著鬆動或接觸不良
2.5	軸擺動 Shaft wobble	A momentary load of 1Kgf shall be applied at the point 5 mm from the tip of the shaft in a direction perpendicular to the axis 焊錫後在與軸垂直的端面 5mm 處施加 1Kgf 靜載荷	0.8xL/30mm p-p 以下(L 是安裝長度, 按比例計算) 0.8xL/30mm p-p MAX (L:shaft length)
2.6	軸的回轉方向擺動 Shaft play in rotational wobble	使用角度板測定。 Measurement with jig for rotational angle.	4°以內 (5°Max)

Rotation operation
(Encoder block)
回轉操作



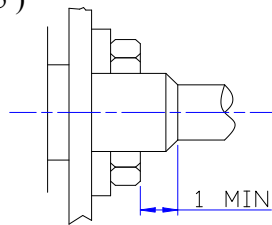
东莞市凡睿电子科技有限公司

DONG GUAN RUI FENG TECHNOLOGY&ELECTRONICS CO., LTD.

TEL: (0769) 81805438/86866001 13751429385 FAX: (0769) 82991458 E-mail: fanrui@dgruifeng.com

网址: <http://dgruifengkj.cn.alibaba.com>

地址: 东莞市茶山镇京山第三工业区

	2-7	軸套鎖緊強度 Bushing nut Tightening strength	依下圖(圖五)安裝方式。 Tighten the nut according to (fig.5) 圖五(fig.5) 	6.2 in-lbs (7.1Kgf ·cm) 以下之力使用。 Tightening torque to be no greater than 6.2 in-lbs
--	-----	--	---	---

3. Encoder electrical characteristic s	3. 電氣特性
--	---------

Item 項目	Measuring condition 測試條件	Specifications 規格
3.1	Sections 段數	<input type="checkbox"/> 2 <input checked="" type="checkbox"/> 3 <input type="checkbox"/> 4 <input type="checkbox"/> 5 <input type="checkbox"/> 6 <input type="checkbox"/> 7 <input type="checkbox"/> 8
3.2	Poles 極數	<input checked="" type="checkbox"/> 1 <input type="checkbox"/> 2
3.3	Rating 額定值	Rating of voltage and current between COM and A (COM and B) C端和A端(C端和B端)間額定電壓和電流 D.C16V 0.3A
3.4	Insulation resistance 絕緣電阻	Measure to Apply D.C100V. (Between terminal for reinforcing and the other terminals) D.C100V 測試 (在塑膠與接線端之間) ≥100MΩ
3.5	Withstand voltage 耐電壓	Apply A.C100V for 1min. (Between terminal for reinforcing and the other terminals) C100V1 分鐘 (在塑膠與接線端之間) No damage. Arc and dielectric breakdown. 無損傷、電弧和電故障
3.6	Contact resistance 接觸電阻	Shall be measured at 1kHz±200Hz(max.20mV,max.50mA) or 5VDC, 1A by a voltage drop method. 在直流電壓 5V,電流 1A,頻率為 1kHz±200Hz 下測試 ≤50mΩ

4. Endurance	4. 耐久特性
--------------	---------

Item 項目	Measuring condition 測試條件	Specifications 規格
4.1	Heat resistance 耐熱特性 Temperature 85±2°C Time 96 ±10hours After that , leave in ordinary temp and humidity for 1.5 hour. Then measure. 溫度 85±2°C 時間 96 ±10 小時 然後放置在常溫和濕度下 1.5 小時再測試。	Specification in clause all items in shall be satisfied. 所有項應滿足初期規格
4.2	Moisture resistance 耐濕特性 Temperature 40±2°C Humidity 90~95%Rh Time 96±10 hours After that , leave in ordinary temp and humidity for 1.5 hour. Then measure. 溫度 40±2°C 濕度 90~95%Rh 時間 96±10 小時 然後放置在常溫和濕度下 1.5 小時再測試。	The same as above. 同上



东莞市凡睿电子科技有限公司

DONG GUAN RUI FENG TECHNOLOGY&ELECTRONICS CO., LTD.

TEL: (0769) 81805438/86866001 13751429385 FAX: (0769) 82991458 E-mail: fanrui@dgfanrui.com

网址: <http://dgruifengkj.cn.alibaba.com>

地址: 东莞市茶山镇京山第三工业区

Item 項目		Measuring condition 測試條件	Specifications 規格
4.3	Low temperature resistance 耐寒特性	Temperature -30±2℃ Time 96±10 hours After that , leave in ordinary temp and humidity for 1.5 hour. Then measure. 溫度 -30±2℃ 時間 96±10 小時 然後放置在常溫和濕度下 1.5 小時再測試。	The same as above. 同上
4-4	耐落下性 Free falling	製品從 60cm 高度以任意方向自由落到鋪展在水泥地面上的塑膠墊上。 The encoder shall be fallen freely at any posture from 60cm height to the concrete floor covered with vinyl-tile. After which measurement shall be made.	沒有明顯的變形、破損。應滿足初期規格。(但端子變形除外) No excessive deformation or damage. (Except the deformation of terminals.) And specifications in clause 4.1~4.6 and 5.1~5.7 shall be satisfied. 工程專用章
5、耐久性能 Endurance characteristics			
5-1	迴轉壽命 Rotational life	在無負荷條件下軸以 800/h 速度迴轉 10,000 周。 The shaft of encoder shall be rotated to 10,000 cycles at a speed of 800/h without electrical load, after which measurements shall be made.	Contact resistance 100 mΩ or less Specification in clause shall be satisfied. 接觸電阻: ≤100mΩ. 其他應滿足初期規格
6、焊接條件 Soldering conditions			
6-1 手工焊接 Manual soldering			
溫度 260℃ 以下，時間 5 秒以內。			
Bit temperature of soldering iron : 260℃ or less.			
Application time of soldering iron : within 5s.			
6-2 槽焊 Dip soldering			
使用基板: t=1.6 的單面覆銅板。			
Printed wiring board: Single-sided copper clad laminate board with thickness of 1.6mm.			
焊劑: 採用比重為 0.83±0.05 以上的焊料和發泡式助焊劑，浸入深度不超過基板厚度的二分之一，且基板表面不得有焊劑流入。			
Flux: Specific gravity: 0.83 or more. Flux shall be applied to the board using a bubble foaming type fluxer. The board shall be soaked in the flux bubble only to the middle of its thickness. Flux shall not come into contact with the component side surface.			
預熱: 基板表面溫度 100℃ 以下，時間 50~70 秒以內。			
Preheating: Surface temperature of board: 100℃ or less.			
6-3 焊接: 溫度 350℃±5℃ 以下、時間 5±1 秒以內。			
Soldering: Solder temperature: 350℃ or less. Immersion time: Within 3s.			
以上操作不得重覆二次以上。			
Apply the above soldering process for 1 or 2 times.			



东莞市凡睿电子科技有限公司

DONG GUAN RUI FENG TECHNOLOGY&ELECTRONICS CO. , LTD.

TEL: (0769) 81805438/86866001 13751429385 FAX (0769) 82991458 E-mail: fanrui@dgifanrui.com

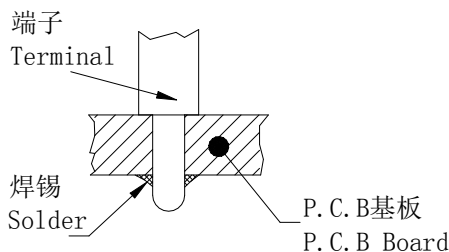
网址: <http://dgruifengkj.cn.alibaba.com>

地址: 东莞市茶山镇京山第三工业区

7、焊接注意事項 Note for soldering method

7-1 如下圖所示，請不要在 P.C.B 板上面焊接處附近配線。

Please avoid soldering on upper surface (the component side surface) of the PC board as shown below.



插脚式机种焊线图



7-2 焊接後洗淨後,如果焊劑流入編碼器內可時能產生接觸不良,請注意!

8、其它,使用方面的注意事項

Precautions in use.

8-1 避免儲藏與高溫潮濕及腐蝕的場所，產品溝入後盡可能在 6 個月內使用完。拆包裝後未使用完的剩餘產品需儲藏於防潮防毒的環境下。

Avoid storing the products in a place at high temperature, high humidity and in corrosive gases. Please use this product as soon as possible with 6 months limitation. If any remainder left after packing is opened, please store it with proper moistureproofing, gasproofing etc.

8-2 本制品本體若接觸水分則對脈沖波形能產生異常影響,避免直接接觸水分。

This product when touching wet or water can be influence the pulse wave.

8-3 本制品對軸不能施加橫壓力,為避免制品機能損傷,應事先設置旋鈕方向。

The shaft can't be over pressure. For avoided damaged the function, please

Pre-setting the button direction.

8-4 本制品對軸不要施加過大的沖擊力,以免使產品機能受損。

Please don't shocking the shaft. To avoided damaged the function.

文件名称	制订日期	版本	核准	审核	制订
RS17 开关系列规格书	2018-11-17	A			