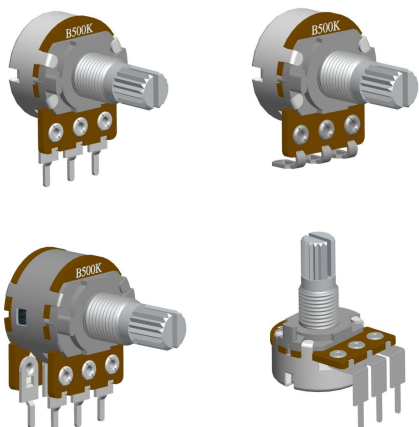


ROTARY TYPE POTENTIOMETER



16mm Size RK166 Series

16 型 RK166 系列



应用于：调音台、多媒体音响、功放及家用电器

Application: mixer, multi-coal acoustics, power amplifier and household appliances.

主要功能：调节音量、调平衡、调压、调温、调光

Main functions: adjust volume, balance, pressure, temperature and light.

RK166SNH01 - M7B6.5 - FB15A7 - B10K

1 2 3 4 5 6 7

Ordering Information 订货说明		Code 代码	Specification 规格参数
1	Moder Series 产品系列	RK166	See RK166 Series Dimensions 见 RK166 系列产品图
2	With Switch 带开关	S	With rotary switch 带旋转式开关
3	Porduct Form 产品形态	NH	See RK166 Series Dimensions 见 RK166 系列产品图
4	Design Code 设计代号	01	
5	Bushing Type 轴套类型	M7B6.5	M7 Teeth Bushing , Bushing Length 6.5mm M7 螺牙轴套，轴套长度 6.5mm
6	Shaft Type and Shaft Length 轴型及轴长	FA15A7	See RK166 axis dimension table 见 RK166 轴型尺寸表
7	Resistance Tapprt and Valee 曲线及阻值	曲线 Curve	See the potentiometer graph on the last page 见最后一页电位器曲线图
		阻值 Resistance	“10K”为阻值书写形式，表示阻值为10000Ω



MECHANICAL SPECIFICATION 机械性能

Total Rotational Angle 旋转角度	300°±10°
Rotational Torque 旋转力矩	20gf.cm ~ 200gf.cm
Shaft Stop Strength 止档强度	≥6kgf.cm

ELECTRICAL SPECIFICATION 电气性能

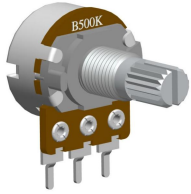
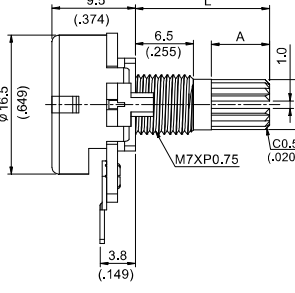
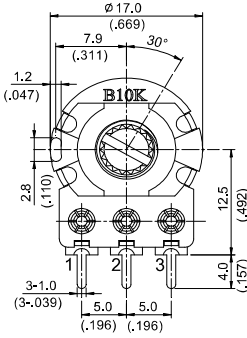
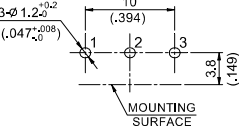
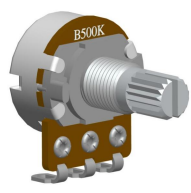
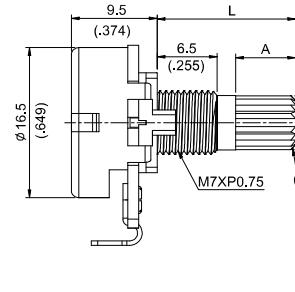
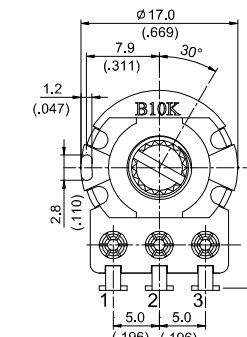
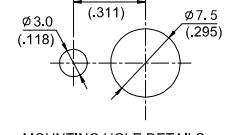

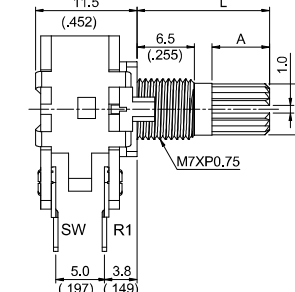
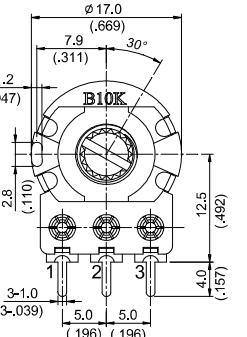
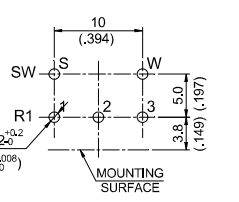
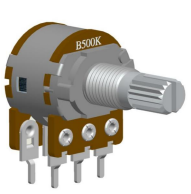
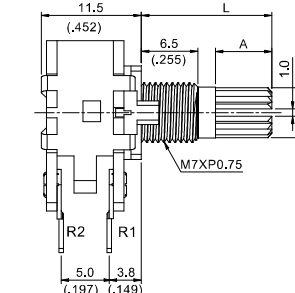
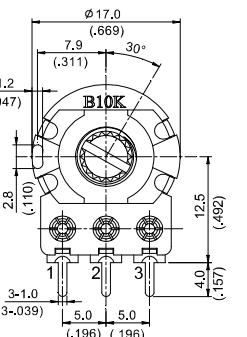
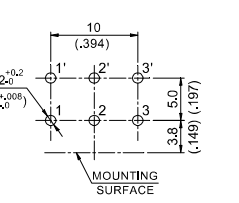
Total Resistance Range 总阻值及误差	500Ω < R < 1MΩ± 20% ; 1KΩ≥R≥1MΩ±30%
Resistance Taper 电阻特性曲线	See Potentiometer linear figure
Power Rating 负载功率	Linear taper 0.2W Other taper 0.1W
Max. Operating Voltage 最大工作电压	200V AC
Residual Resistance 残留电阻	Between terminal 1~2 : 20Ω Max ; 2~3 : 20Ω Max
Rotational Noise 旋转杂音	Less than 100 mV
Insulation Resistance 绝缘电阻	100 MΩ min at 500 V DC
Withstanding Voltage 耐电压	1 minute at AC 500V
Rotational life 回转寿命	15,000 cycles

SHAFT TYPE AND SHAFT LENGTH 轴型及轴长 (RK166 Series)

FB 轴		● 压铸轴	<table border="1"> <thead> <tr> <th>Length</th> <th>FB15</th> <th>FB20</th> <th>FB25</th> <th>F30</th> </tr> </thead> <tbody> <tr> <td>L</td> <td>15</td> <td>20</td> <td>25</td> <td>30</td> </tr> <tr> <td>F</td> <td>7</td> <td>12</td> <td>12</td> <td>12</td> </tr> </tbody> </table>				Length	FB15	FB20	FB25	F30	L	15	20	25	30	F	7	12	12	12
		Length	FB15	FB20	FB25	F30															
L	15	20	25	30																	
F	7	12	12	12																	
YB 轴		● 压铸轴	<table border="1"> <thead> <tr> <th>Length</th> <th>YB15</th> <th>YB20</th> <th>YB25</th> <th>YB30</th> </tr> </thead> <tbody> <tr> <td>L</td> <td>15</td> <td>20</td> <td>25</td> <td>30</td> </tr> <tr> <td>A</td> <td>6.5</td> <td>11.5</td> <td>16.5</td> <td>21.5</td> </tr> </tbody> </table>				Length	YB15	YB20	YB25	YB30	L	15	20	25	30	A	6.5	11.5	16.5	21.5
Length	YB15	YB20	YB25	YB30																	
L	15	20	25	30																	
A	6.5	11.5	16.5	21.5																	



RK166 Series Dimensions

MODEL	DIMENSIONS		
 <p>RK166NH01</p>		 <p>FULL C.C.W POSITION</p>	 <p>MOUNTING HOLE DETAILS DIMENSIONS: $\frac{\text{MM}}{\text{(INCHES)}}$</p>
 <p>RK166NHT01</p>		 <p>FULL C.C.W POSITION</p>	 <p>MOUNTING HOLE DETAILS DIMENSIONS: $\frac{\text{MM}}{\text{(INCHES)}}$</p>
 <p>RK166GH01</p>		 <p>FULL C.C.W POSITION</p>	 <p>MOUNTING HOLE DETAILS DIMENSIONS: $\frac{\text{MM}}{\text{(INCHES)}}$</p>
 <p>RK166SNH01</p>		 <p>FULL C.C.W POSITION</p>	 <p>MOUNTING HOLE DETAILS DIMENSIONS: $\frac{\text{MM}}{\text{(INCHES)}}$</p>

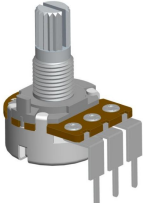
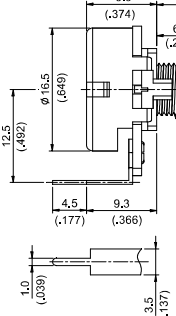
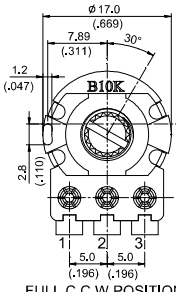
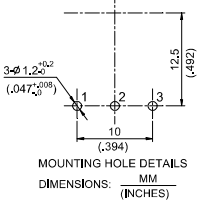

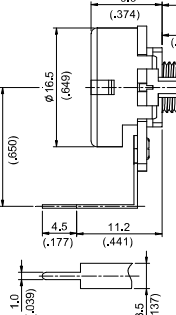
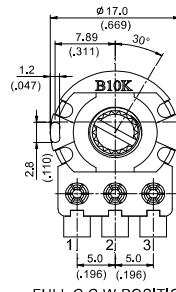
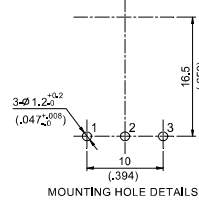

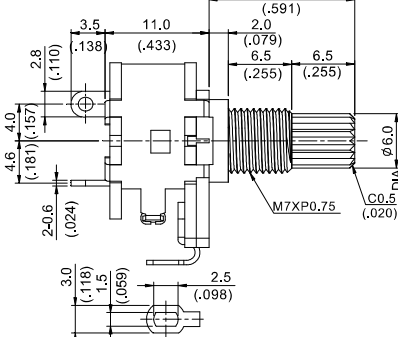
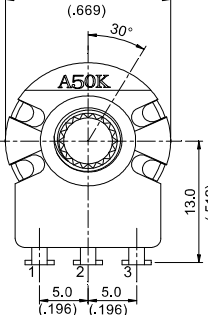
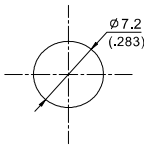

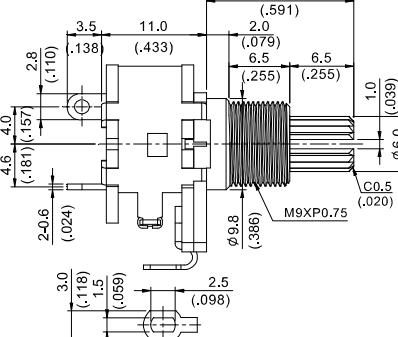
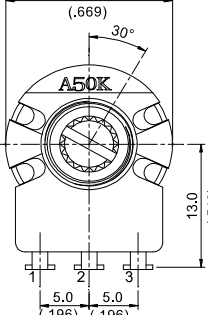
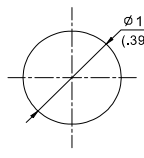
ROTARY TYPE POTENTIOMETER



16mm Size RK166 Series

16 型 RK166 系列

RK166 Series Dimensions

MODEL	DIMENSIONS		
 <p data-bbox="209 801 389 835">RK166NV01</p>		 <p data-bbox="938 763 1098 779">FULL C.C.W POSITION</p>	 <p data-bbox="1165 716 1316 761">MOUNTING HOLE DETAILS DIMENSIONS: $\frac{\text{MM}}{\text{INCHES}}$</p>
 <p data-bbox="209 1182 389 1216">RK166NV02</p>		 <p data-bbox="938 1144 1098 1160">FULL C.C.W POSITION</p>	 <p data-bbox="1165 1086 1316 1131">MOUNTING HOLE DETAILS DIMENSIONS: $\frac{\text{MM}}{\text{INCHES}}$</p>
 <p data-bbox="177 1563 421 1597">RK166SNVTB01</p>		 <p data-bbox="954 1585 1161 1601">FULL C.C.W POSITION</p>	 <p data-bbox="1204 1534 1404 1579">MOUNTING HOLE DETAILS DIMENSIONS: $\frac{\text{MM}}{\text{INCHES}}$</p>
 <p data-bbox="177 1944 421 1977">RK166SNVTB01</p>		 <p data-bbox="954 1973 1161 1989">FULL C.C.W POSITION</p>	 <p data-bbox="1204 1915 1404 1960">MOUNTING HOLE DETAILS DIMENSIONS: $\frac{\text{MM}}{\text{INCHES}}$</p>

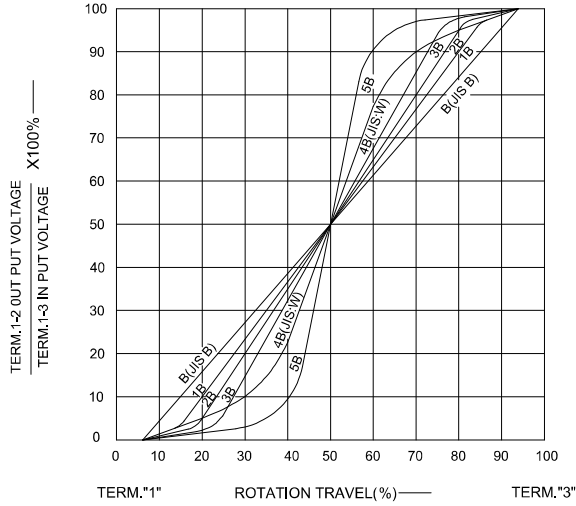




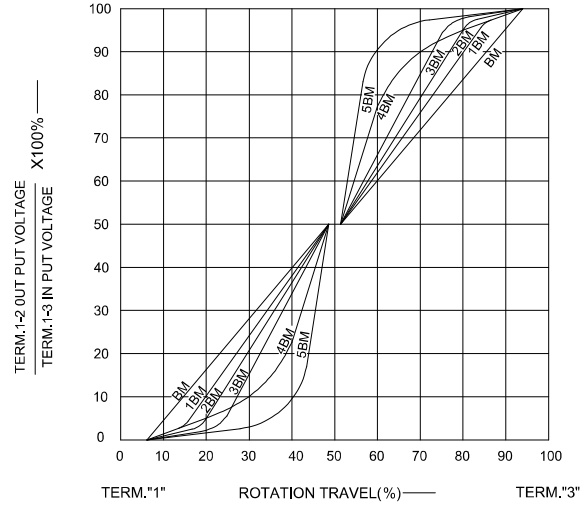
RK166 Series Dimensions

Potentiometer Diagram 电位器曲线图

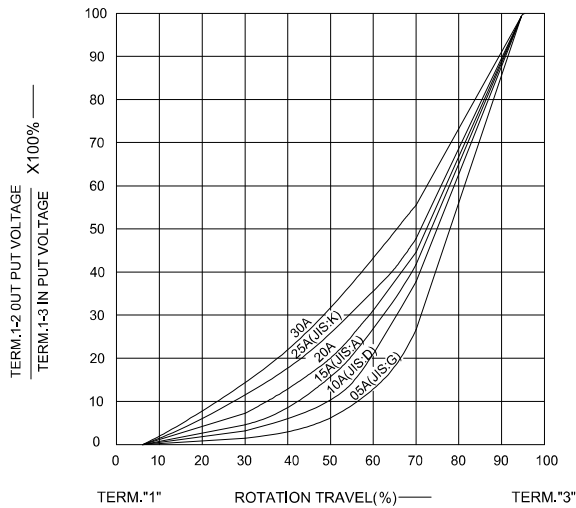
TAPERS B SERIES



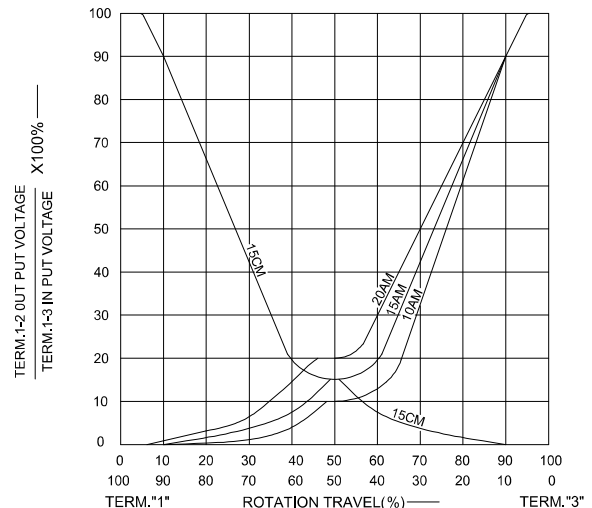
TAPERS B WITH 50% TAP



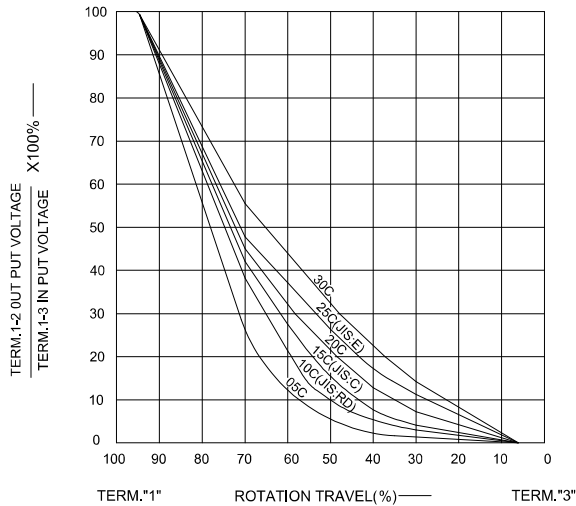
TAPERS A SERIES



TAPERS A&C WITH 50% TAP



TAPERS C SERIES



TAPERS M&N

