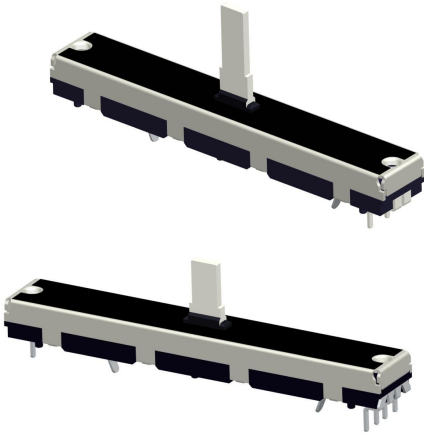


# SLDING TYPE POTENTIOMETER



45mm Trip SK458 Series

45mm 行程 SK458 型



**应用于：调音台、电子琴、吉他及其它相关电子设备上**  
Application: mixer, electronic organ, guitar and other related electronic equipment.

**主要功能：调节音量、调节音调、调节平衡**  
Main functions: Adjust volume, tone and balance.

**SK458NHA01 - 15C - B10K**

**1      2      3      4      5**

Ordering Information 订货说明		Code 代码	Specification 规格参数
<b>1</b>	Moder Series 产品系列	SK458	See SK458 Series Dimensions 见 SK458 系列产品图
<b>2</b>	Porduct Form 产品形态	NHA	
<b>3</b>	Design Code 设计代号	01	
<b>4</b>	Handle Type and Handle Length 柄型及柄长	15C	See SK458 axis dimension table 见 SK458 轴型尺寸表
<b>5</b>	Resistance Taprt and Valee 曲线及阻值	曲线 Curve	See the potentiometer graph on the last page 见最后一页电位器曲线图
		阻值 Resistance	“10K”为阻值书写形式，表示阻值为10000Ω



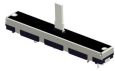
## MECHANICAL SPECIFICATION 机械性能

Total Sliding Travel 滑动行程	45±0.5mm
Rotational Torque 旋转力矩	10gf.cm ~ 100gf.cm
Click Number 定位数	□1C □11C
Click force 定位推动力	50~200gf.cm
Shaft Stop Strength 止档强度	≤5kgf.cm
Shaft Wobble (mm p-p) 轴摆动	Within (0.7XL/20)mm p-p Max. L=Shaft Length

## ELECTRICAL SPECIFICATION 电气性能

Total Resistance Range 总阻值及误差	$500\Omega < R < 1M\Omega \pm 20\%$ ; $1K\Omega \geq R \geq 1M\Omega \pm 30\%$
Resistance Taper 电阻特性曲线	See Potentiometer linear figure
Power Rating 负载功率	Linear taper 0.25W
Max. Operating Voltage 最大工作电压	150V AC
Residual Resistance 残留电阻	Between terminal 1~2 : 20Ω Max ; 2~3 : 20Ω Max
Sliding Noise 滑动杂音	Less than 100 mV
Insulation Resistance 绝缘电阻	100 MΩ min at 250 V DC
Withstanding Voltage 耐电压	1 minute at AC 250V
Sliding life 滑动寿命	15,000 cycles

# SLDING TYPE POTENTIOMETER

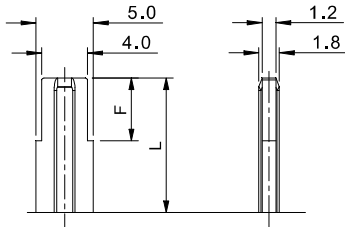


45mm Trip SK458 Series

45mm 行程 SK458 型

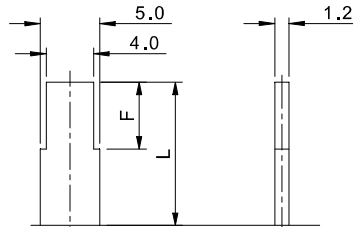
## HANDLE TYPE AND HANDLE LENGTH 柄型及柄长 (SK458 Series)

H 型 (材质为塑胶)



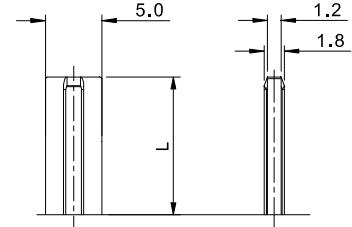
L	10	15	20
F	7	10	10

C 型 (材质为铁材表面镀镍)



L	10	15	20
F	7	10	10

B 型 (材质为塑胶)

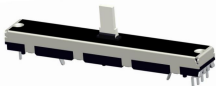


L	10	15	20
---	----	----	----

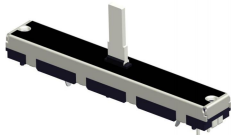
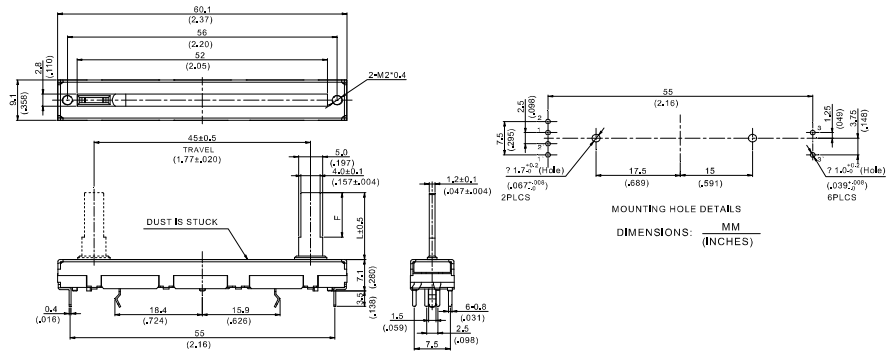
## SK458 Series Dimensions

MODEL

DIMENNSIONS



SK458GHA01



SK458NHA02

